



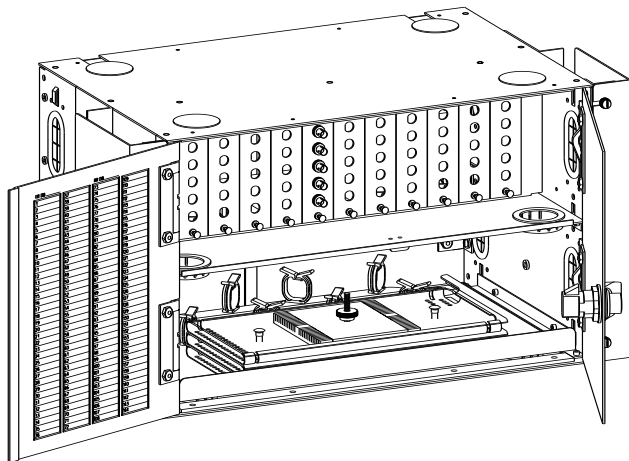
Rack Mount Fiber Optic Distribution Unit

BJ-1770

72 / 144 Port Bay Mount

Application

Provides for fiber cross-connection, termination, and splicing in a single high-density unit. Each level can be configured for coupler plates or splice case mounting. Ideal for Central Office or POP fiber cross-connects.

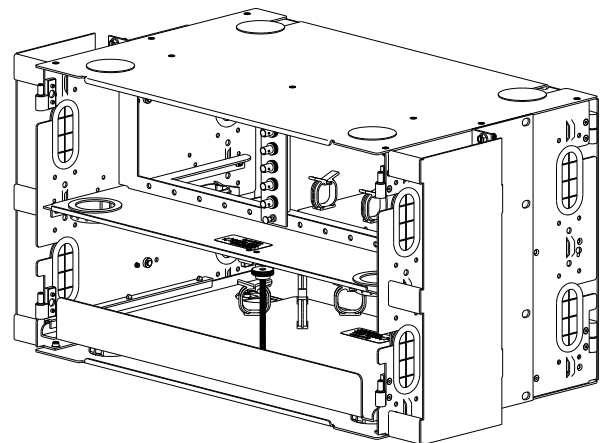


Specifications

- Capacity: Twelve or Twenty-Four Plates
- Dimensions: 10.5"H (6 UI) x 17"W x 11"D
- Weight: 13 lbs.
- Construction: Aluminum & Steel
- Color: Off-white

Features

- 19 or 23 inch rack mount
- Tray pulls out for convenient splicing or field termination work
- Top and bottom knock outs for pass through break out cables
- Removable doors front and back with lift-off hinges
- Room for splicing and cable storage
- Key Locks available



Ordering Information

Part Number	Description
BJ-1770B-001	FDU: 6 RU, 12 Plates, Splice Storage, White
BJ-1770B-002	FDU: 6 RU, 12 Plates, Splice Storage, White, Key Locks
BJ-1770B-003	FDU: 6 RU, 24 Plates, White
BJ-1770B-004	FDU: 6 RU, 24 Plates, White, Key Locks

