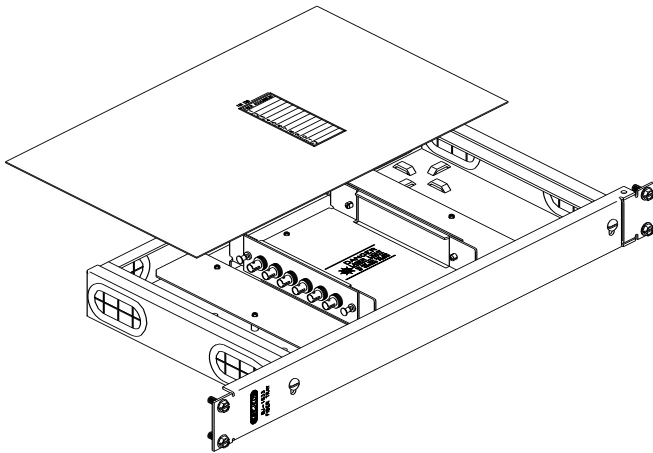




# Compact Rack Mount Fiber Optic Distribution Unit

# BJ-1833

## 12 Port Bay Mount



## Application

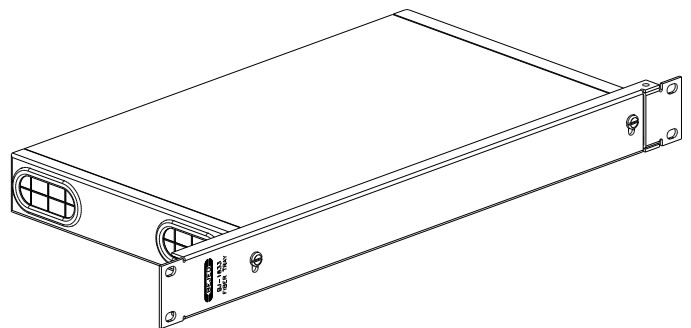
The BJ-1833 is designed for a variety of uses. It will accommodate splitters for cable TV applications and can be used for 12 couplers and/or splices.

## Features

- Terminates 12 fibers w/ standard 6 port coupler plates
- Can be adjusted to swing-right or –left as needed in the field
- Completely flush mounted
- Ample room for extra loops of fiber
- Integrated splice protection
- Multiple cable entrance/exit holes
- Low profile

## Specifications

Capacity: Two Plates, 12 Splices  
 Dimensions: 1.75" H x 14.5" W x 8.6" D  
 Weight: 2 lbs. 12 oz.  
 Construction: Steel and Aluminum  
 Color: Off-White



## Ordering Information

Part Number	Description
BJ-1833C-001	FDU: 19" Rack, 2 plates, 1 RU, White
BJ-1833C-101	FDU: 19" Rack, 2 plates, 1 RU, Black

