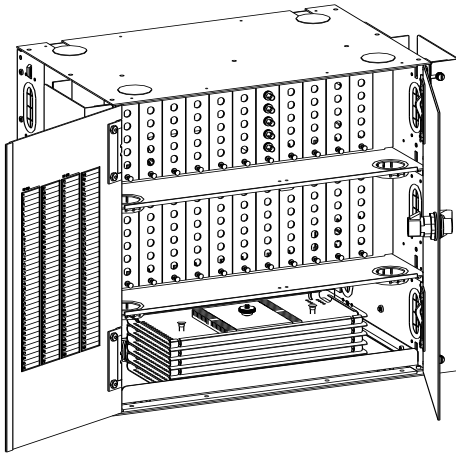




Fiber Optic Distribution & Splice Storage Unit

BJ-1866

144-216 Port Bay Mount



Application

Provides for fiber cross-connection, termination, and splicing in a single high-density unit. Extra room for fiber routing and storage. Ideal for Central Office or POP fiber cross-connects

Specifications

Capacity: Twenty-Four to Thirty-Six Plates

Dimensions: 15.75"H (9UI) x 17"W x 11"D

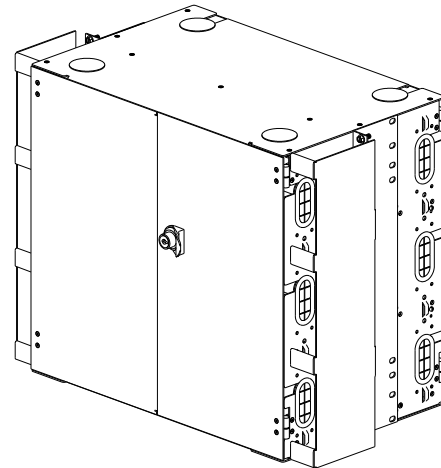
Weight: 18 lbs. 8 oz.

Construction: Aluminum & Steel

Color: Off-white

Features

- 19 or 23 inch rack mount
- Trays pull out for convenient splicing or termination work
- Top and bottom knock outs for pass through break out cables
- Removable doors front and back with lift-off hinges
- Room for splicing and cable storage
- Available with key locks



Ordering Information

Part Number	Description
BJ-1866B-005	FDU: 9 RU, 24 Plates, 2 Shelves & 1 Tray, White
BJ-1866B-007	FDU: 9 RU, 36 Plates, 3 Shelves, White

