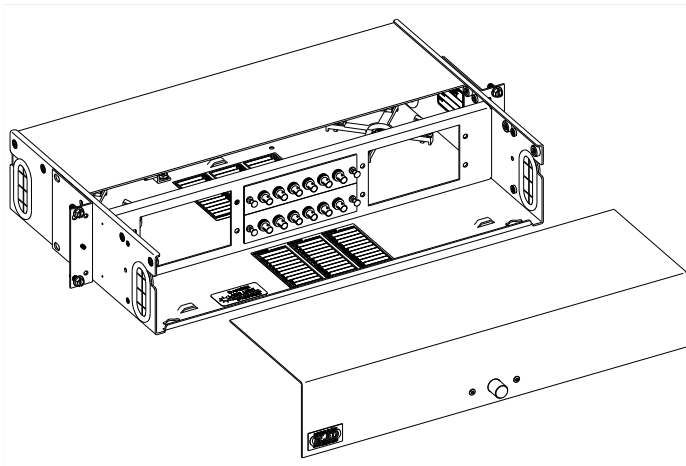




Compact Rack Mount Fiber Optic Distribution Unit

BJ-1876

36 Port Bay/Wall Mount



Application

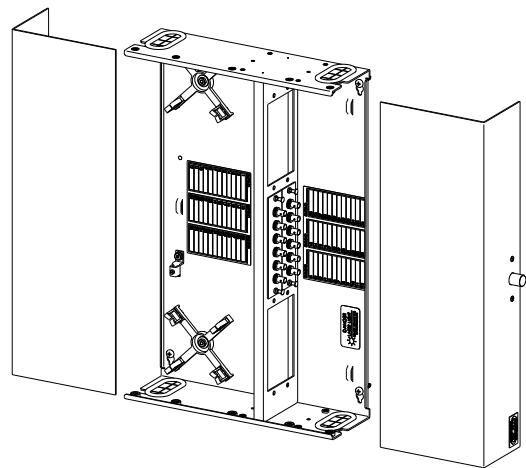
This low profile 24 port FDU is designed primarily for applications where direct field termination is used. May also be wall-mounted.

Specifications

- Capacity: Six Plates
- Dimensions: 3.5"H (2 UI) x 17"W x 11"D
- Weight: 10.2 lbs.
- Construction: Steel

Features

- 19 or 23 inch rack mount, or wall mount
- Terminates 36 fibers w/ standard 6 port coupler plate
- Room for fiber storage and/or splicing
- Economical design with features found on our larger units



Ordering Information

Part Number	Description
BJ-1876B-036	FDU: Rack Mount, 2 RU, 6 Plates, White
BJ-1876B-037	FDU: Wall Mount, 6 Plates, White

