



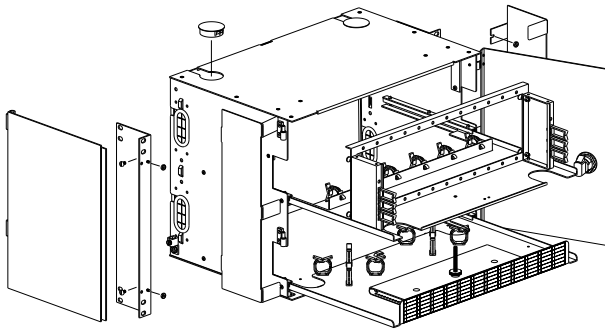
Rack Mount Fiber Optic Distribution Unit

BJ-1939

72 / 144 Port Bay Mount

Application

Rack mount fiber cabinet with two levels. Each level can be configured for coupler plates or splice case mounting. Extra room for fiber routing and storage.

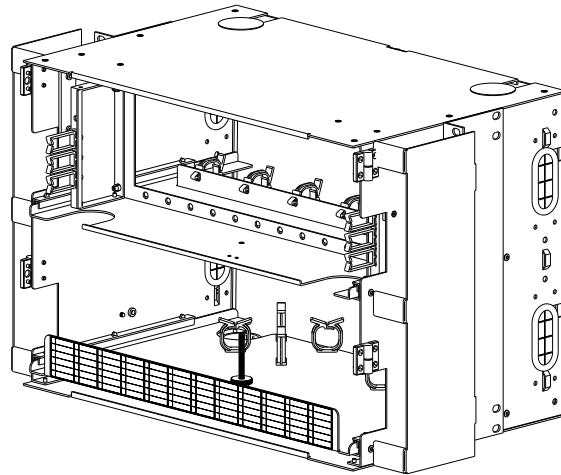


Features

- Top and bottom knockouts for pass through breakout cables
- Single locking back door is easily removed for installation work
- Trays pull out for convenient splicing or field termination work
- Door hinges make it easy to remove front doors
- Vertical fiber managers with flexible fingers allow cable routing without removing cable covers

Specifications

Capacity: Twelve to Twenty-Four Plates
 Weight: 10.5 lbs.
 Dimensions: 12.25"H (7 UI) X 17"W X 11" D
 Construction: Aluminum
 Color: Off-white



Ordering Information

Part Number	Description
BJ-1939A-001	FDU: 7 RU, 12 Plates, Splice Storage, Metal Doors, Key Locks, White
BJ-1939B-004	FDU: 7 RU, 24 Plates, Metal Doors, Key Locks, White

