



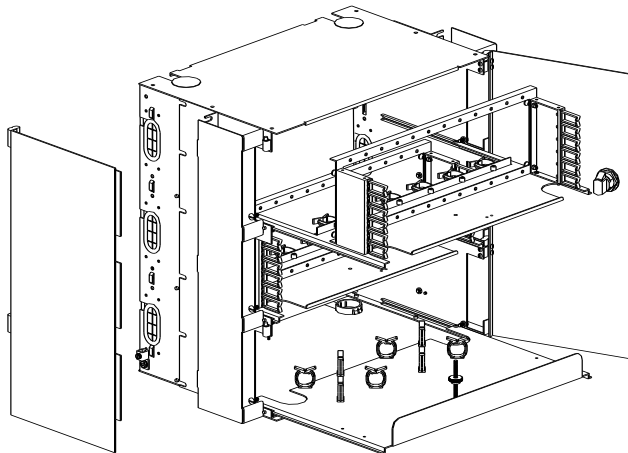
# High- Density Rack Mount Distribution Unit

# BJ-1940

## 72 - 216 Port Bay Mount

### Application

Rack mount fiber cabinet with three levels. Each level can be configured for coupler plates or splice case mounting. Extra room for fiber routing and storage.

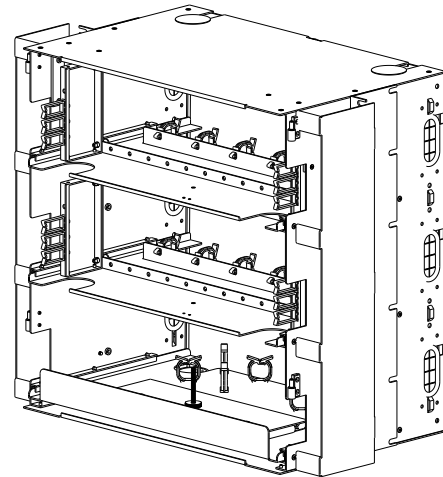


### Specifications

Capacity:	See below
Weight:	15 lbs.
Dimensions:	17.5"H (10 UI) X 17"W X 11" D
Construction:	Aluminum
Color:	Off-white

### Features

- Terminates 216 fibers w/ standard 6 port coupler plate or 144 couplers and splice trays
- Room for splicing and cable storage
- Door hinges make it easy to remove front door
- Trays pull out for convenient splicing or termination work
- Vertical fiber managers with flexible fingers allow cable routing without removing cable covers



### Ordering Information

Part Number	Description
BJ-1940A-001	FDU: 10 RU, 24 Plates, 2 Shelves & 1 Tray, White, Key Locks
BJ-1940A-002	FDU: 10 RU, 36 Plates, 1 Shelf & 2 Trays, White, Key Locks
BJ-1940A-003	FDU: 10 RU, 12 Plates, 3 Shelves, White, Key Locks

