



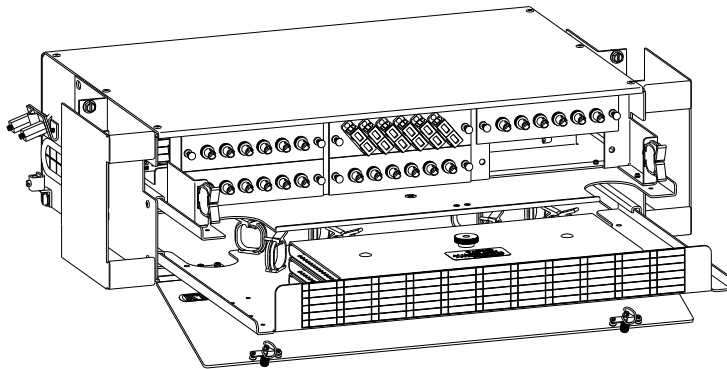
Fiber Optic Distribution & Splice Storage Unit

BJ-1983

36 Port Bay Mount

Application

Provides for fiber cross-connection, termination and splicing in a single unit. Ideal for Central Office or POP fiber cross-connections.

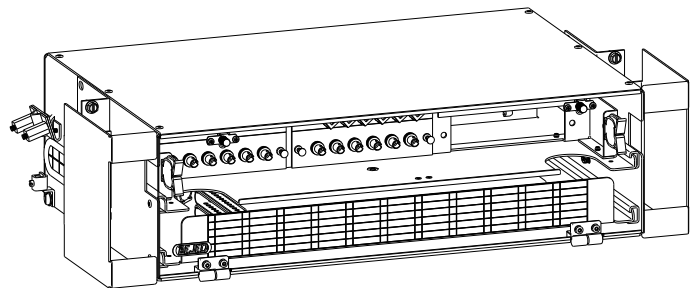


Specifications

- Capacity: Six Plates
- Dimensions: 5.2"H (3 RU) x 17"W x 11"D
- Weight: 8 lbs.
- Construction: Steel and Aluminum
- Color: Off-White

Features

- **New Design!**
- Terminates 36 fibers with standard 6 port coupler plates
- 19 or 23 inch rack mount
- Coupler panel and separate splice storage shelf both slide out for greater access.
- Integrated cable management and protection
- Multiple cable entrance/exit holes



Ordering Information

<u>Part Number</u>	<u>Description</u>
BJ-1983F-001	FDU: 3 RU, 6 Plates, White
BJ-1983F-101	FDU: 3 RU, 6 Plates, Black
BJ-1983G-001	FDU: 3 RU, 6 Plates, White, Key Locks
BJ-1983G-101	FDU: 3 RU, 6 Plates, Black, Key Locks



BEJED, INC 845 NW Dunbar Avenue, Suite 111 Troutdale, Oregon 97060 503-281-8153 800-232-3533
Fax: 503-281-3339 sales@bejed.com <http://www.bejed.com>