



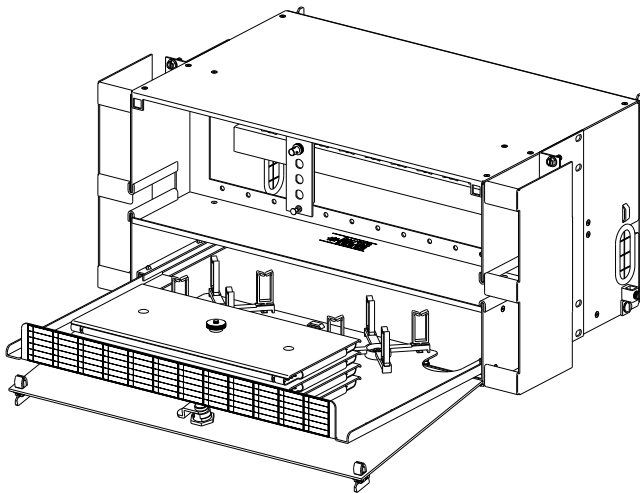
Fiber Optic Distribution & Splice Storage Unit

BJ-1984

72 Port Bay Mount

Application

Provides for fiber cross-connection, termination and splicing in a single unit. Ideal for Central Office or POP fiber cross-connects.

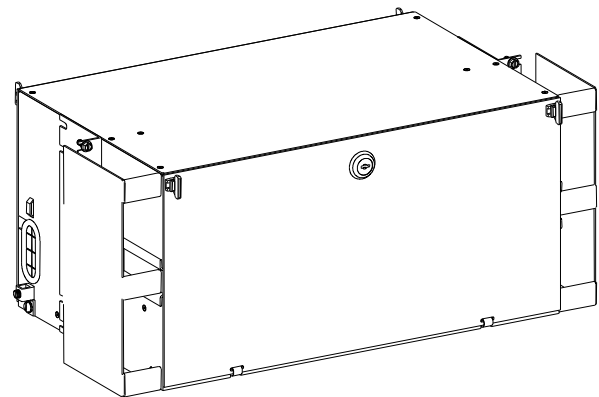


Specifications

- Capacity: Twelve Plates
- Dimensions: 8.75" H (5 UI) x 17" W x 11" D
- Weight: 22 lbs.
- Construction: Steel
- Color: Off-White

Features

- Terminates 72 fibers with standard 6 port coupler plates
- 19 or 23 inch rack mount
- Lower shelf slides out to accommodate splice trays
- Vertical cable management
- Slide out fiber termination shelf
- Aluminum & Steel for lightweight design



Ordering Information

Part Number	Description
BJ-1984A-001	FDU: 5 RU, 12 Plates, Metal Doors, White
BJ-1984A-005	FDU: 5 RU, 12 Plates, Metal Doors, White, Key Locks

