



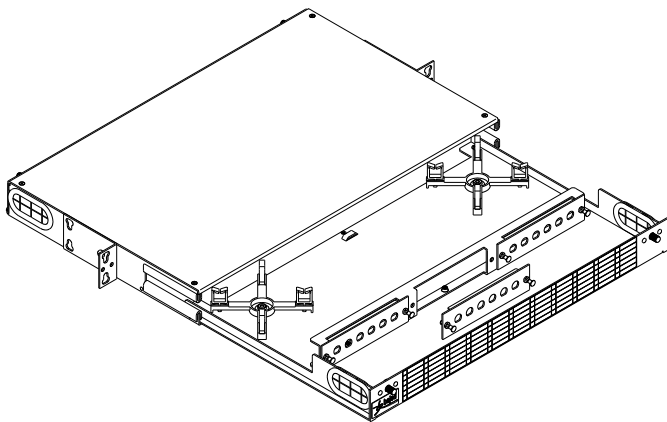
Economy Fiber Optic Distribution Unit

BJ-2113

18 - 24 Port Bay Mount

Application

Our line of economy fiber optic distribution Units is designed for adaptability. The BJ-2113 can be configured for two or three coupler plates and are available with angled orientation for easier access. Aluminum construction for a lighter unit.

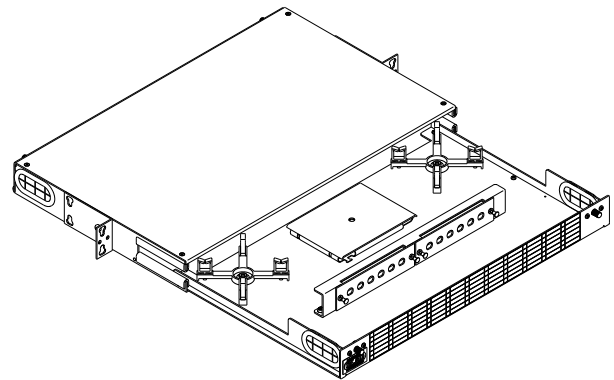


Specifications

Capacity: Three Plates
 Dimensions: 1.75"H (1 UI) x 17"W x 11"D
 Weight: 4lbs.
 Construction: Aluminum
 Color: Off-White or Black

Features

- Terminates 24 fibers with 8 port coupler plates
- 19 or 23 inch rack mount
- NEW! Flush Mount option available
- Improved fiber bend radii
- Slide out fiber termination shelf
- Multiple cable entrance/exit holes
- Low profile



Ordering Information

Part Number	Description
BJ-2113B-002	FDU: 1RU, 3 Plates, White
BJ-2113B-102	FDU: 1RU, 3 Plates, Black

