



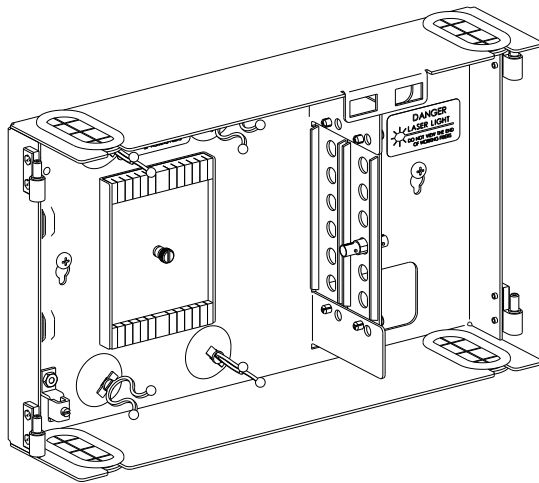
# Small Footprint Fiber Optic Distribution Unit

# BJ-2129

## 12 Port Wall Mount

### Application

This compact wall mount enclosure can hold 2 plates. It is ideally suited for small LANs and industrial fiber applications.

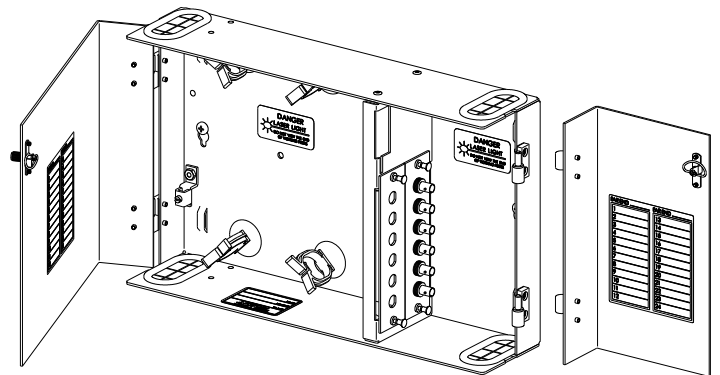


### Specifications

Capacity:	Two Plates
Dimensions:	8"H X 13"W X 3" D
Weight:	5 lbs. 2 oz.
Construction:	Steel
Color:	Off-white

### Features

- Cable entrance/exits top and bottom
- Quarter turn fasteners or key locks secure the covers
- Space for splicing and storage\*
- Supports for BJ-1796 Fiber Clamp



### Ordering Information

Part Number	Description
BJ-2129A-001	FDU: Wall Mount, 2 Plates, White
BJ-2129A-101	FDU: Wall Mount, 2 Plates, Black
BJ-2129B-002	FDU: Wall Mount, 2 Plates, White, Two Key Locks
BJ-2129B-102	FDU: Wall Mount, 2 Plates, Black, Two Key Locks

\*For bare fiber splicing, please use BJ-1742E page 37

