



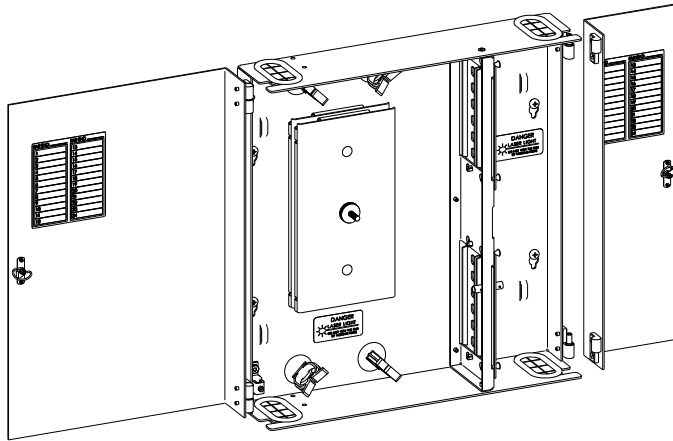
Wall Mount Fiber Optic Distribution Unit

BJ-2136

24 Port Wall Mount

Application

This compact wall mount enclosure can hold 4 plates. It is ideally suited for small LANs and industrial fiber applications.

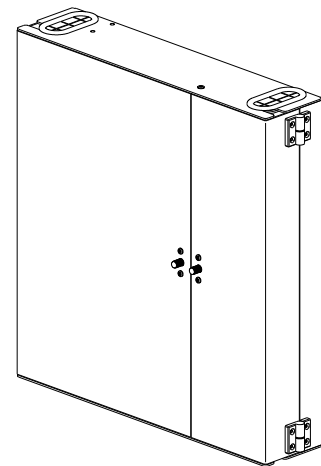


Specifications

Capacity:	Four Plates
Dimensions:	13.5" H x 13.5" W x 3.5" D
Weight:	8 lbs.
Construction:	Aluminum
Color:	Off-white

Features

- Cable entrance/exits top and bottom
- Quarter turn fasteners or key locks secure the covers
- Space for splicing and storage



Ordering Information

<u>Part Number</u>	<u>Description</u>
BJ-2136A-002	FDU: Wall Mount, 4 Plates, White
BJ-2136A-102	FDU: Wall Mount, 4 Plates, Black
BJ-2136B-002	FDU: Wall Mount, 4 Plates, White, 2 Key Locks
BJ-2136B-102	FDU: Wall Mount, 4 Plates, Black, 2 Key Locks
BJ-2136C-003	FDU: Wall Mount, 4 Plates, White, 1 Key Lock
BJ-2136C-103	FDU: Wall Mount, 4 Plates, Black, 1 Key Lock

