



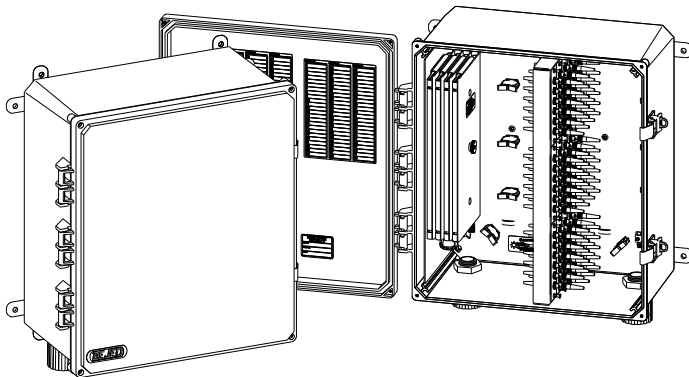
Weatherproof Fiber Optic Distribution Unit

BJ-2181

72 Port Wall Mount

Application

These units are both watertight and airtight. Designed for use in wet, industrial and/or outdoor locations.

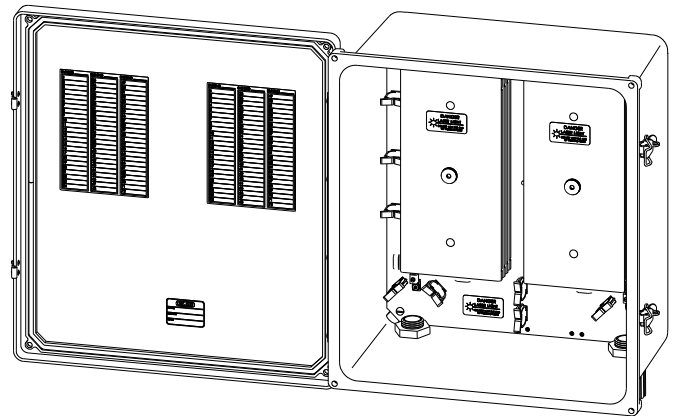


Specifications

- Capacity: Twelve Plates
- Dimensions: 18" H X 16" W X 9" D
- Weight: 12 lbs. 10 oz.
- Construction: Molded fiberglass, rated NEMA 4
- Color: Gray

Features

- Terminates 72 fibers with standard 6 port coupler plates
- Room for fiber storage and/or splicing
- High strength polycarbonate enclosure
- Hinged cover with polyurethane gasket
- Can be locked with a padlock
- Fully weatherproof, NEMA 4X rated
- Pole mounting kit available, part # BJ-2181P-001



Part Number	Description
BJ-2181A-001	FDU: Outdoor, 12 plates, Clear Lid, Room for Splicing
BJ-2181B-001	FDU: Outdoor, 12 plates, Opaque Lid, Room for Splicing
BJ-2181S-001	Splice Storage Unit: Outdoor, Large, Clear Lid
BJ-2181S-002	Splice Storage Unit: Outdoor, Large, Opaque Lid

