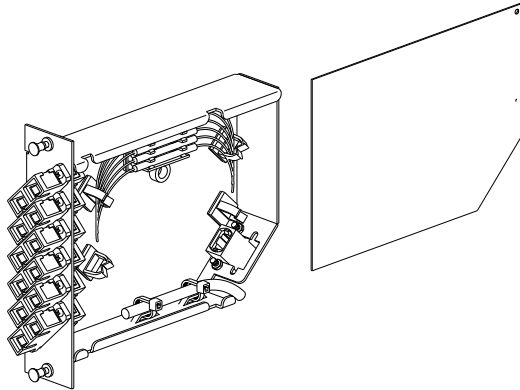




Fiber Optic Accessories

BJ-2182

Cassettes



Application

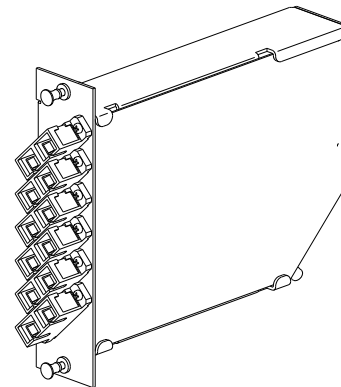
Through the use of a fan-out fiber assembly in a fully protected cassette, users can have more connector density without the need of field terminating or splicing; resulting in lower labor costs and improved reliability.

Features

- High density with integrated splice storage
- May be pre-terminated with pigtails (any length) or MTP for easy installation
- Recommended for use with BJ-2214, BJ-2216, and BJ-2218 enclosure but are compatible with all BEJED rack and wall mount FDUs and many other manufacturer's enclosures
- Most connector and polish types can be used, contact BEJED Sales for details
- Available in ST, FC, LC – Simplex, Duplex, or Quad and SC – Simplex or Duplex
- Mounting brackets for wall- or rack-mounting available, allowing the cassettes to be applied independent of larger FDUs

Specifications

Capacity: 1 Plate, up to 24 ports
 Dimensions: 4.25" H X 1.25" W X 5.5" D
 Weight: 1.5 lbs.
 Construction: Aluminum
 Color: Off-white or Black



Ordering Information*

*Many other configurations available, please call BEJED for more information

Part Number	Description
BJ-2182B-S001	CASSETTE: SC, UPC, SM, 12 PORT, w/SPLICING, NO FIBER
BJ-2182B-M001	CASSETTE: SC, UPC, MM, 12 PORT, w/SPLICING, NO FIBER
BJ-2182D-S001	CASSETTE: LC, UPC, SM, 12 PORT, w/SPLICING, NO FIBER
BJ-2182D-M001	CASSETTE: LC, UPC, MM, 12 PORT, w/SPLICING, NO FIBER
BJ-2182B-S010M	CASSETTE: SC, UPC, SM, 12 PORT, w/ 10 METER 12-FIBER PIGTAIL
BJ-2182B-M010M	CASSETTE: SC, UPC, MM, 12 PORT, w/ 10 METER 12-FIBER PIGTAIL
BJ-2182D-S020F	CASSETTE: LC, UPC, SM, 12 PORT, w/ 20 FEET 12-FIBER PIGTAIL
BJ-2182D-M020F	CASSETTE: LC, UPC, MM, 12 PORT, w/ 20 FEET 12-FIBER PIGTAIL
BJ-2182B-S002	CASSETTE: SC, UPC, SM, 12 PORT, w/ MTP CONNECTION
BJ-2182D-S002	CASSETTE: LC, UPC, SM, 12 PORT, w/ MTP CONNECTION
BJ-2182E-S002	CASSETTE: LC, UPC, SM, 24 PORT, w/ MTP CONNECTION
BJ-2182E-M002	CASSETTE: LC, UPC, MM, 24 PORT, w/ MTP CONNECTION